

Consultant

No.	Date	Description	By
1	08/20/10	ADDENDUM #1	SMR

**EXTERIOR ENVELOPE REPAIRS  
 HYNES CONVENTION CENTER**

**900 BOYLSTON ST  
 BOSTON, MA**

Project

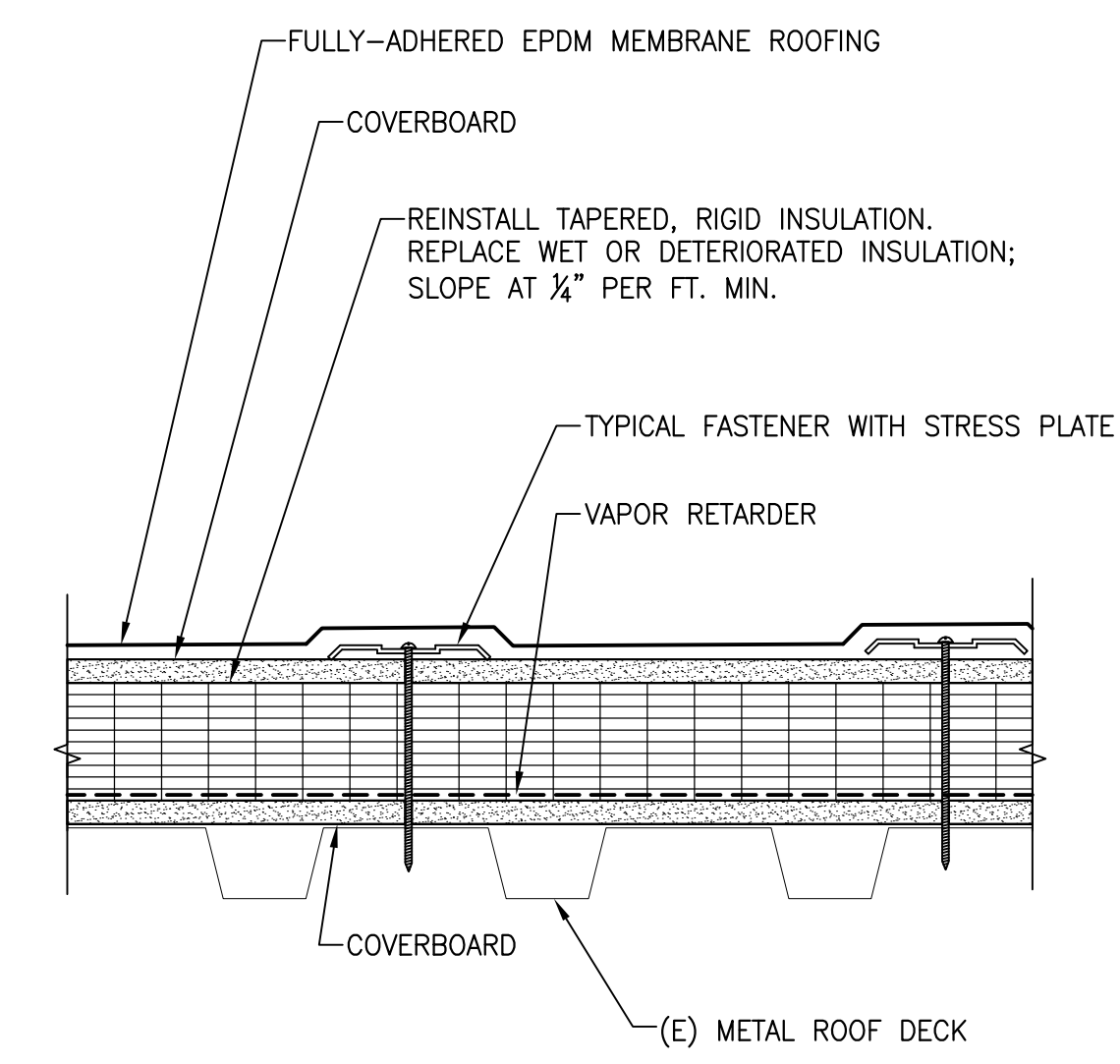
**TYPICAL DETAILS  
 AT MAIN ROOF**

Drawing Title

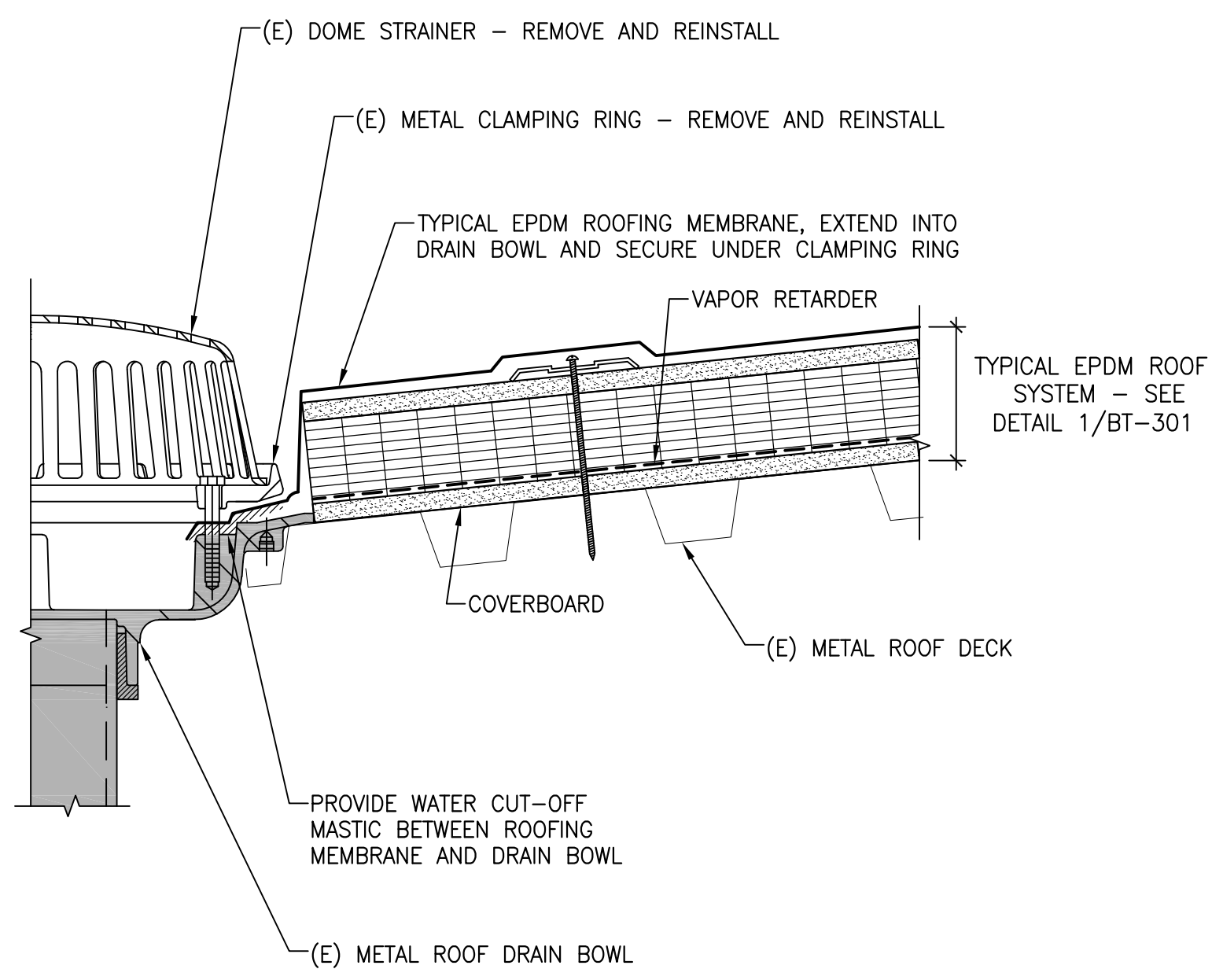
Project No. 100206.00	Checked SMR	Date 08/11/2010
Drawn WTB	Approved BAG	Scale AS NOTED

Drawing No.  
**BT-301**

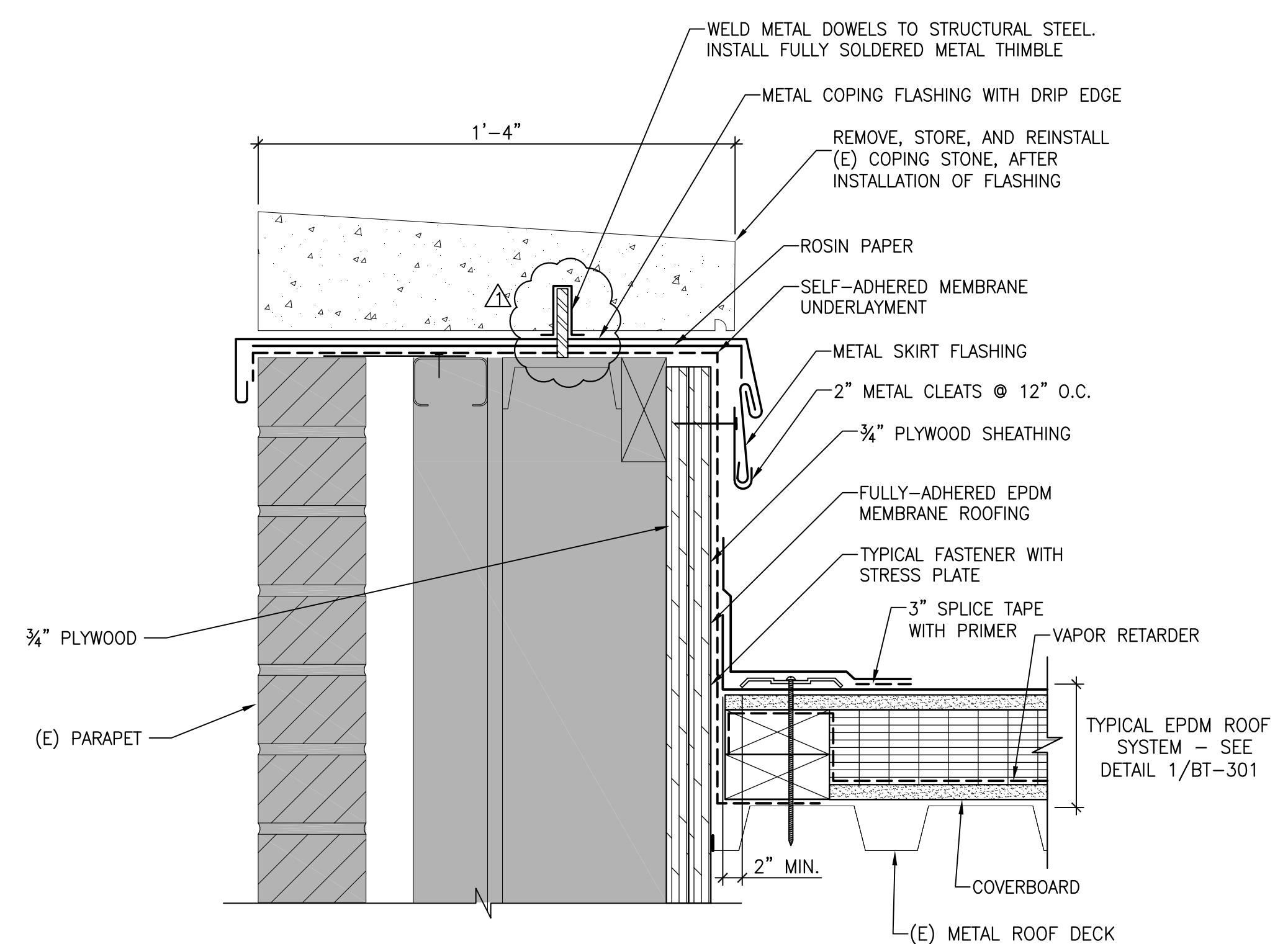
Seal



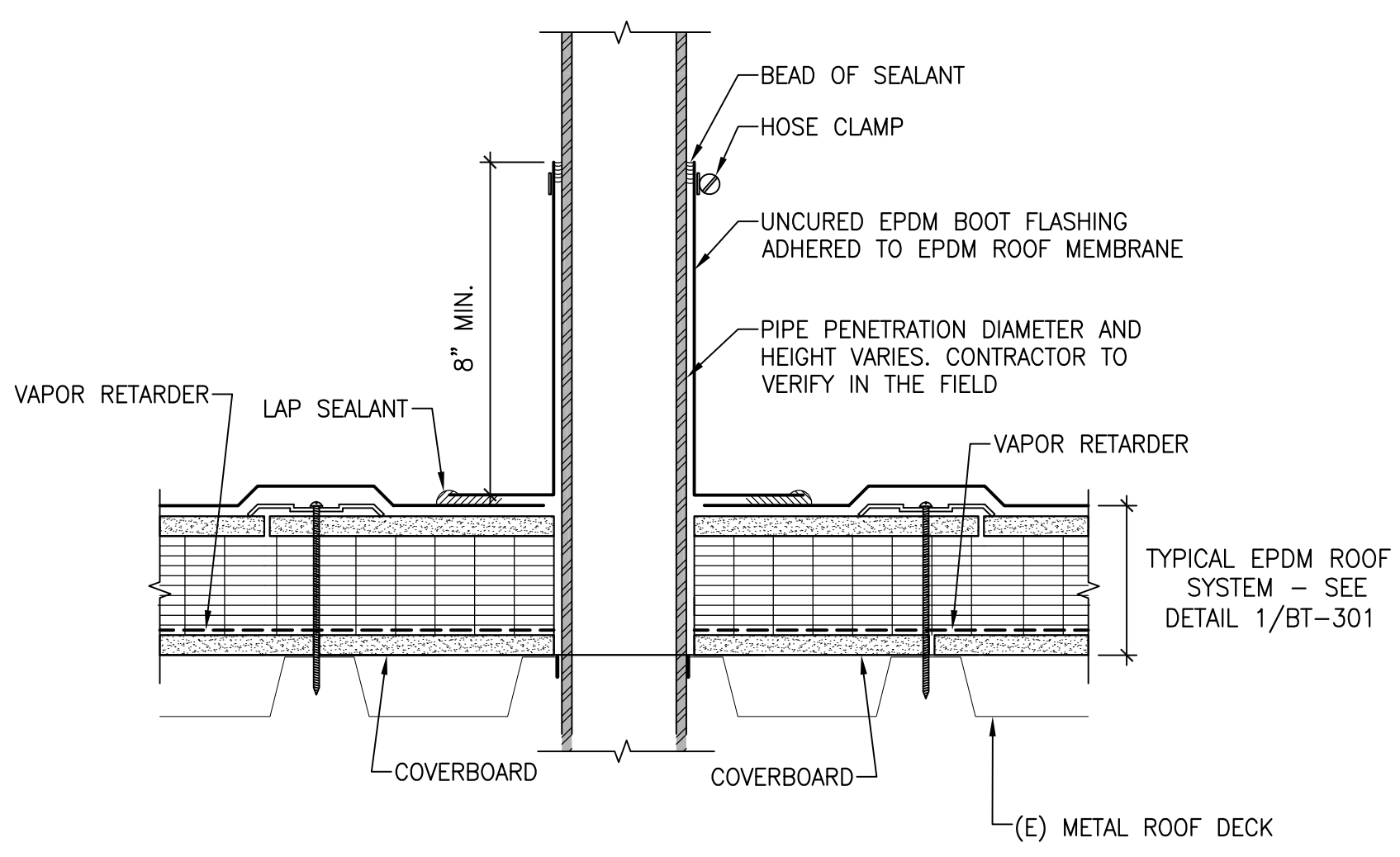
1 TYPICAL EPDM ROOF SYSTEM N.T.S.



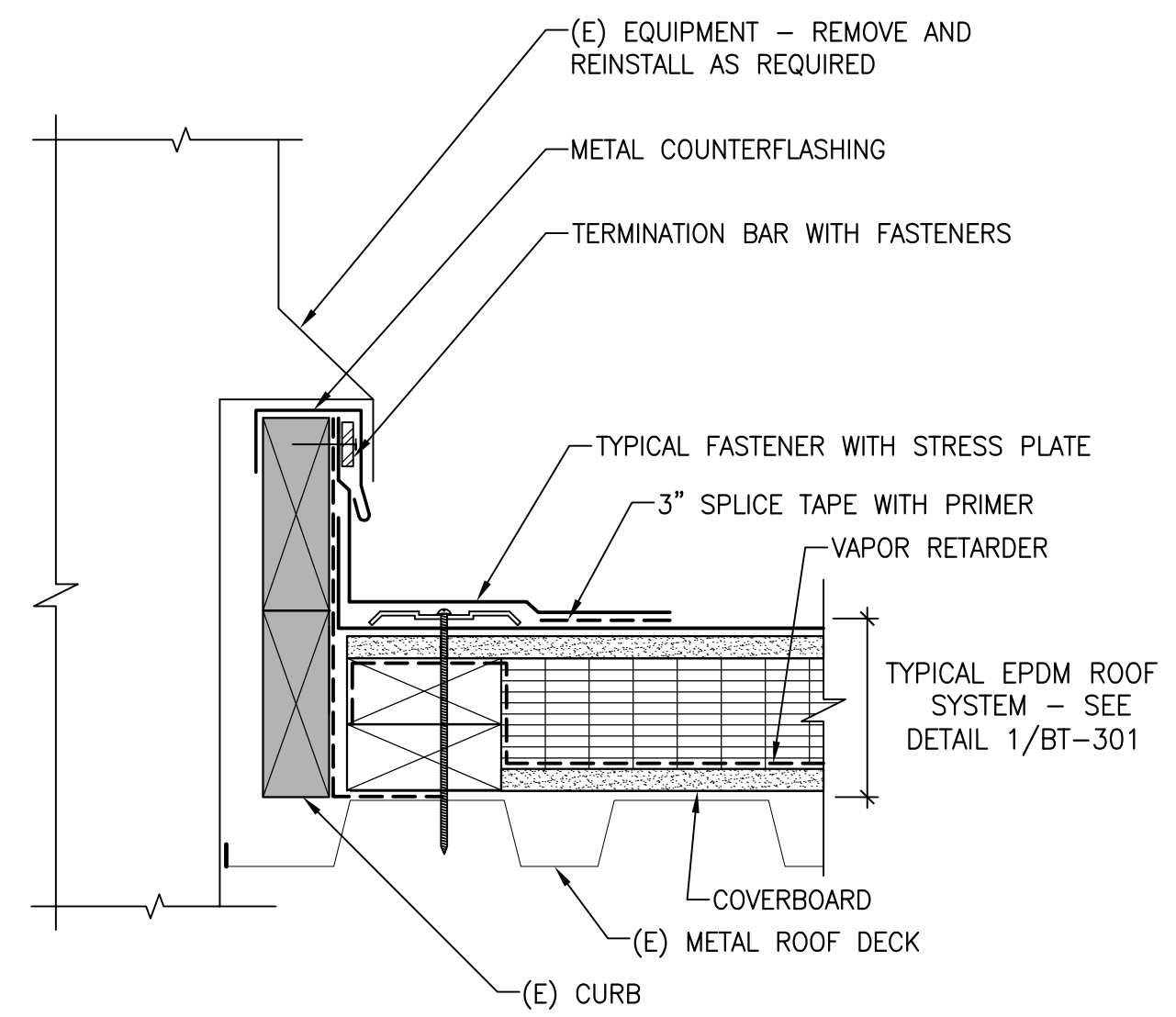
2 TYPICAL ROOF DRAIN N.T.S.



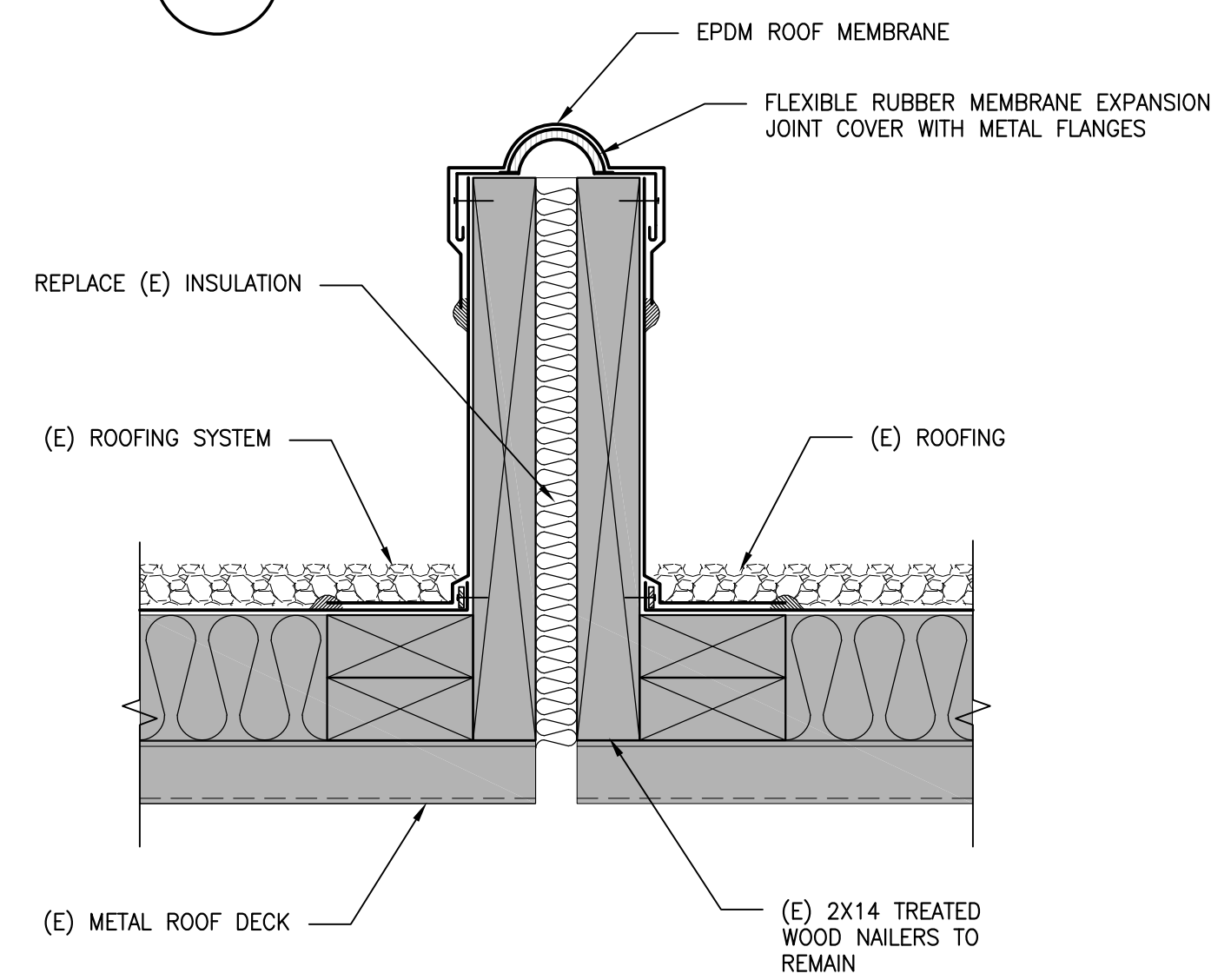
3 TYPICAL PARAPET COPING FLASHING N.T.S.



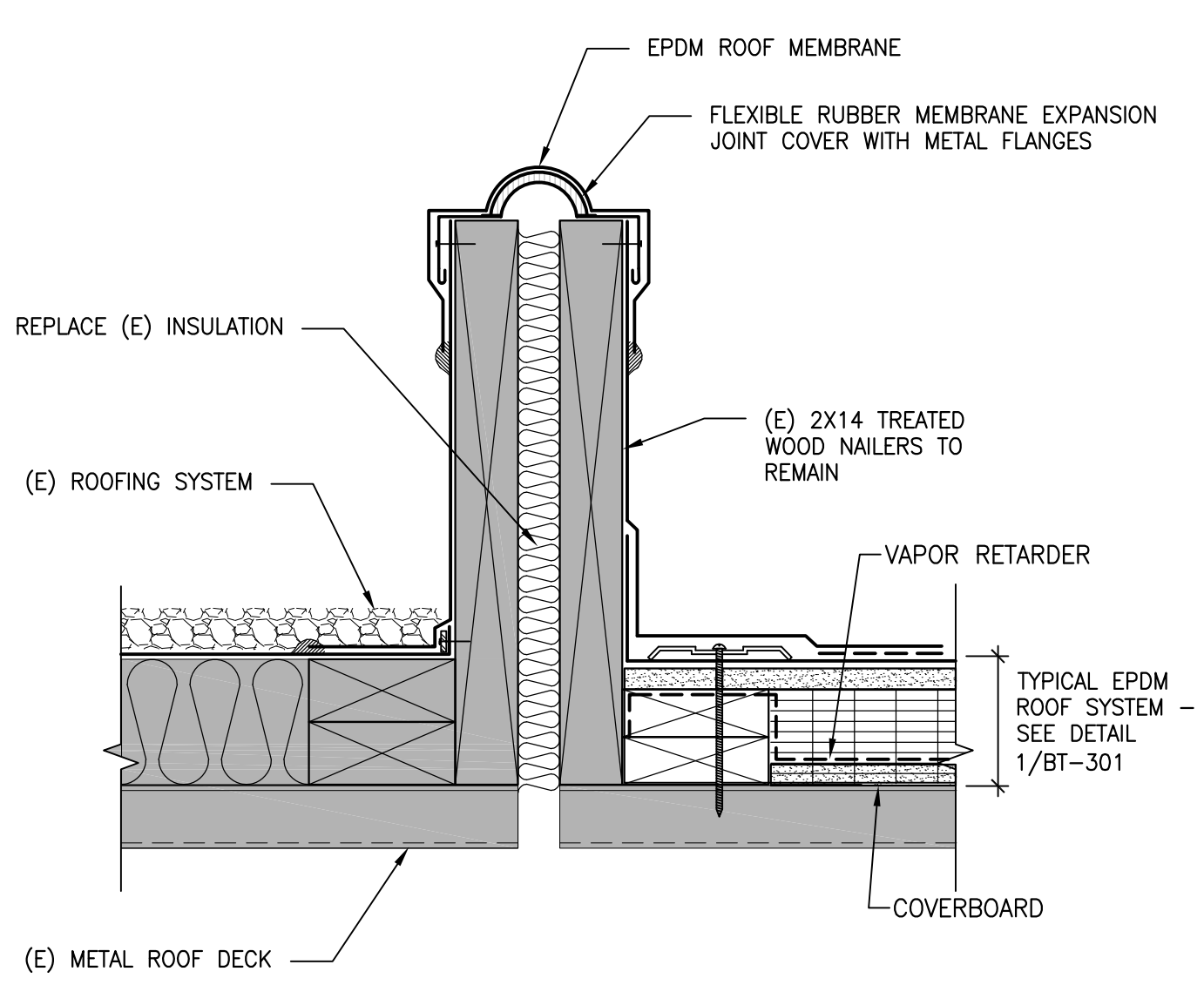
4 TYPICAL PIPE PENETRATION AT EPDM ROOF N.T.S.



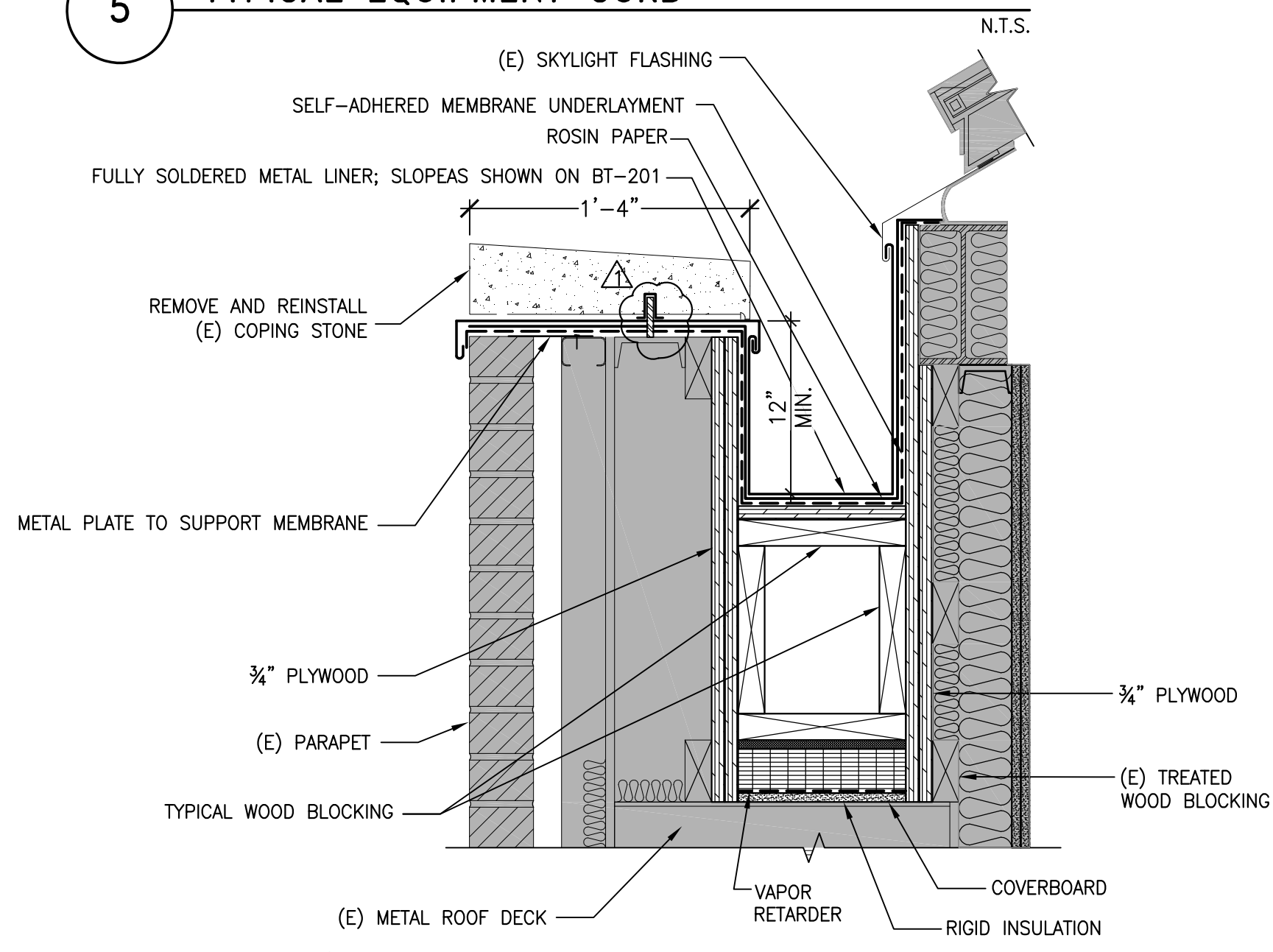
5 TYPICAL EQUIPMENT CURB N.T.S.



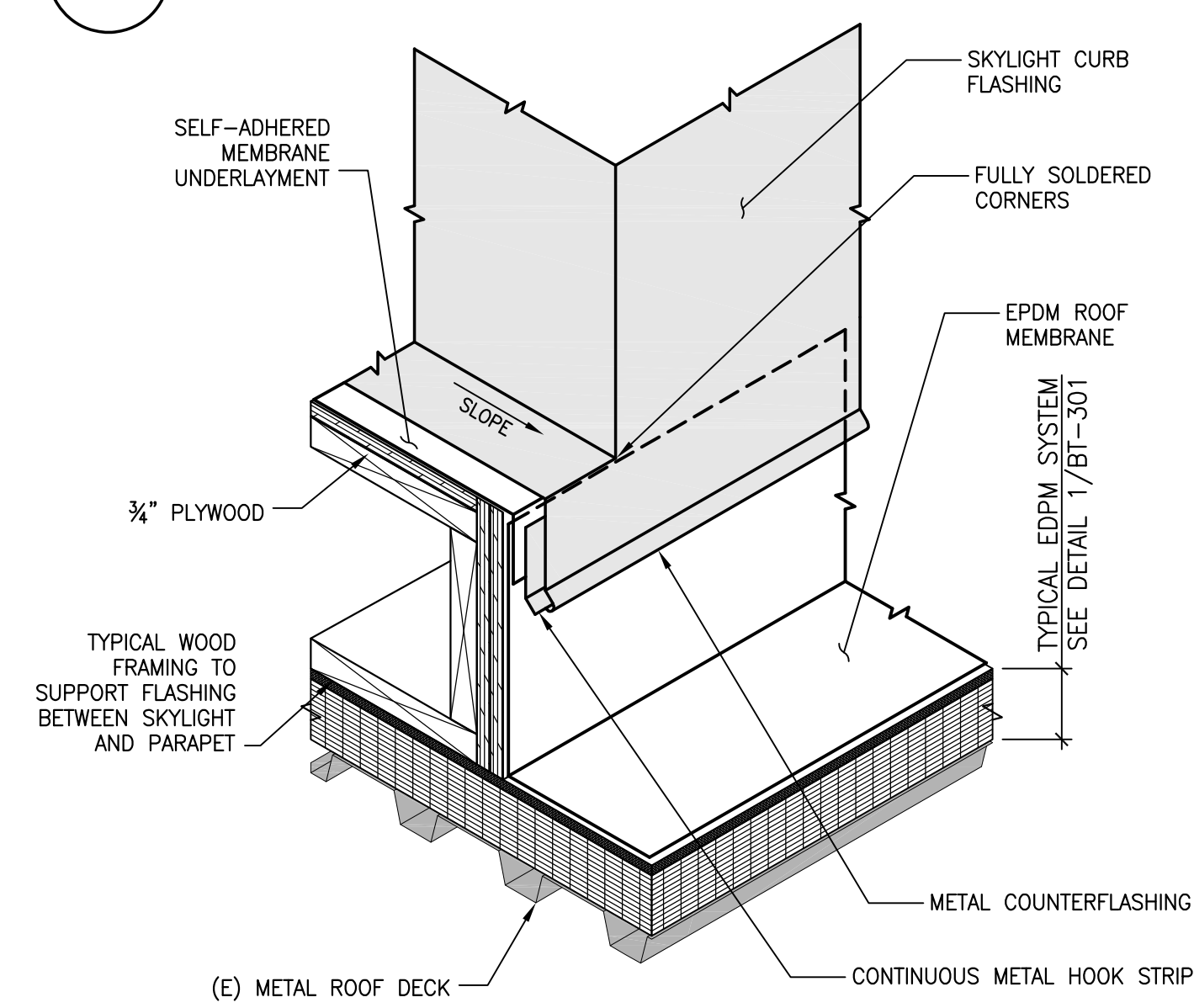
6 EXPANSION JOINT AT (E) ROOF N.T.S.



7 EXPANSION JOINT AT NEW ROOF N.T.S.



8 SKYLIGHT AND PARAPET FLASHING N.T.S.



9 SKYLIGHT CORNER AT ROOF CURB N.T.S.

Bid Set Documents